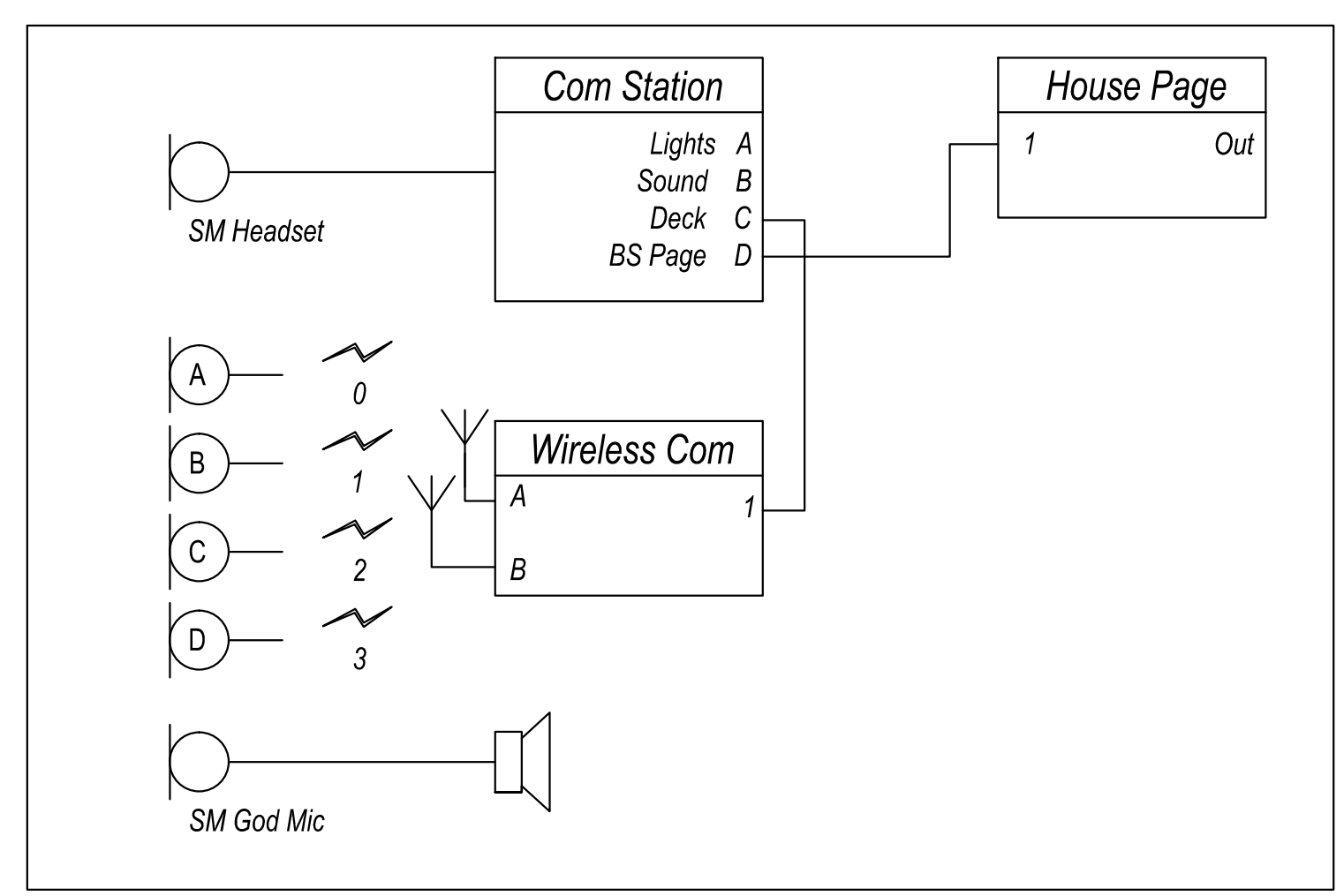
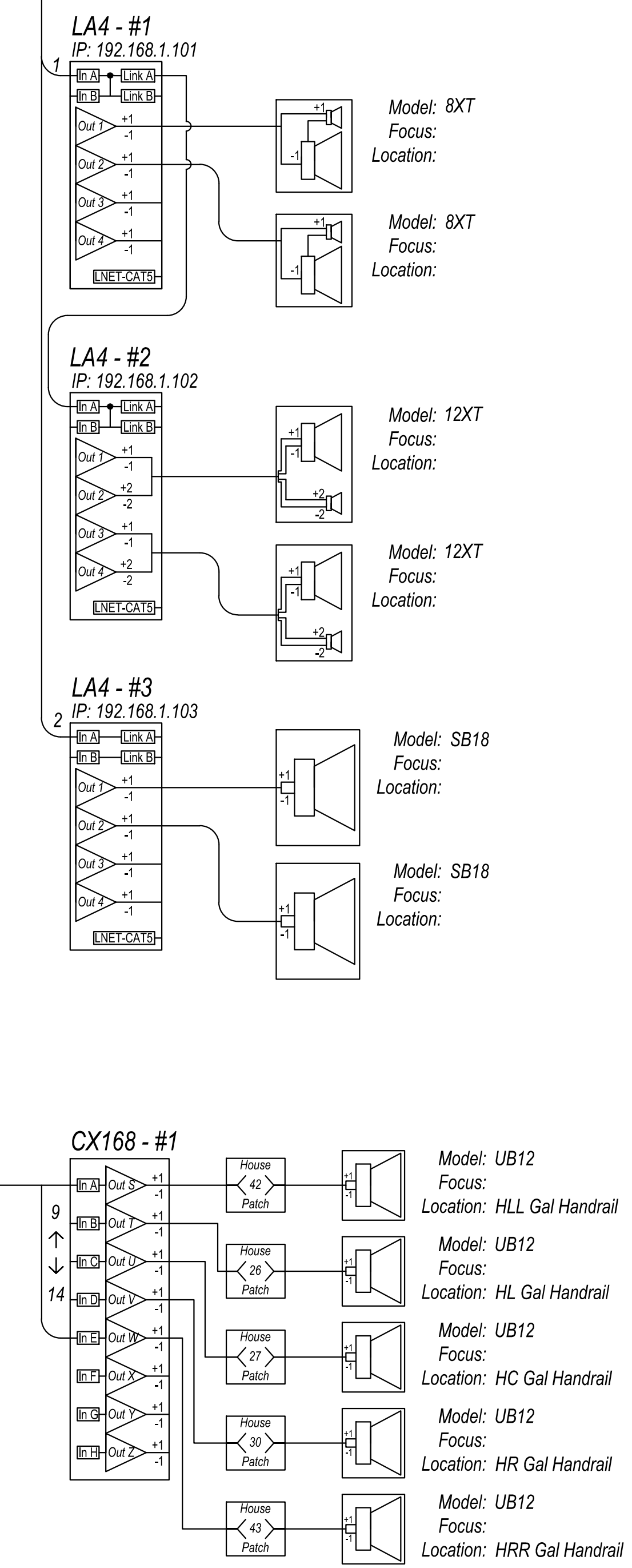
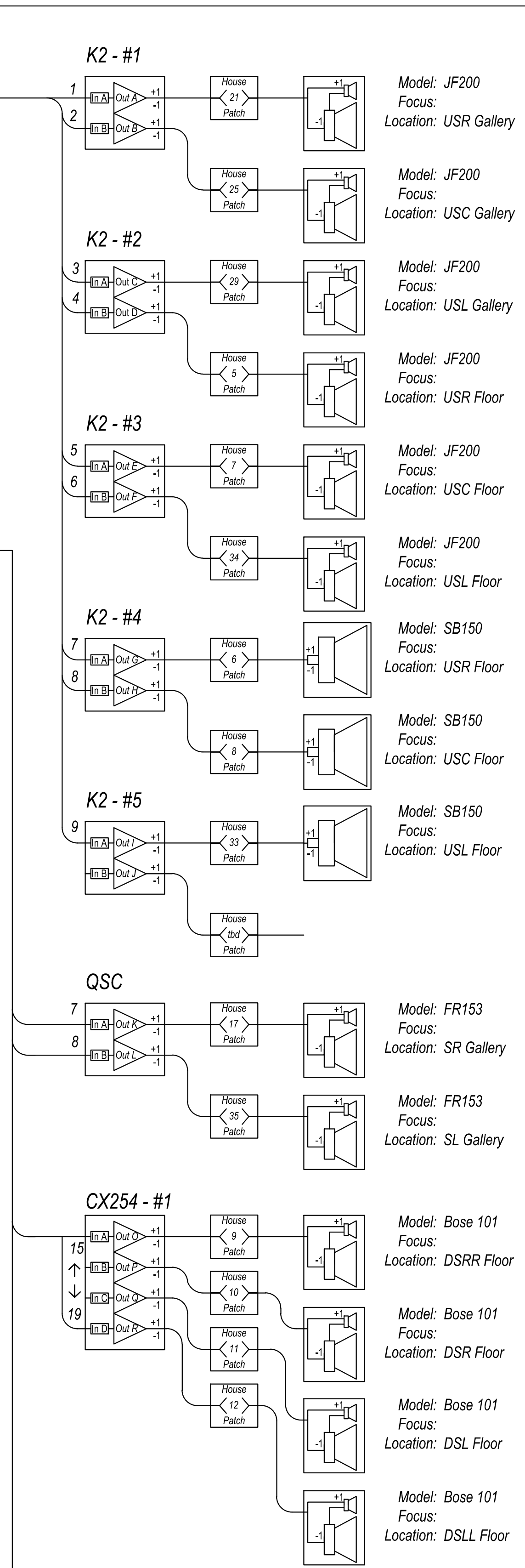
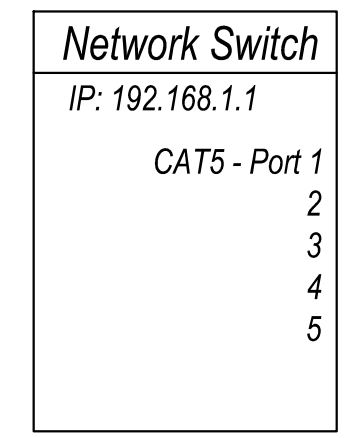
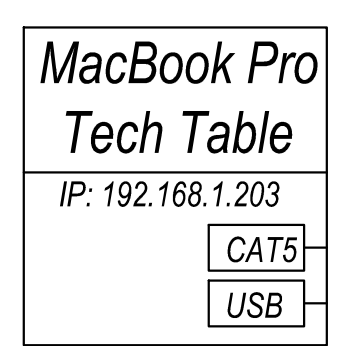
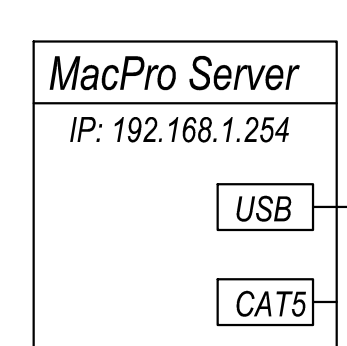
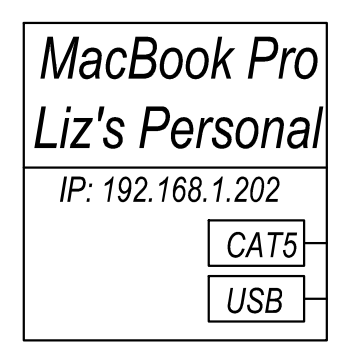
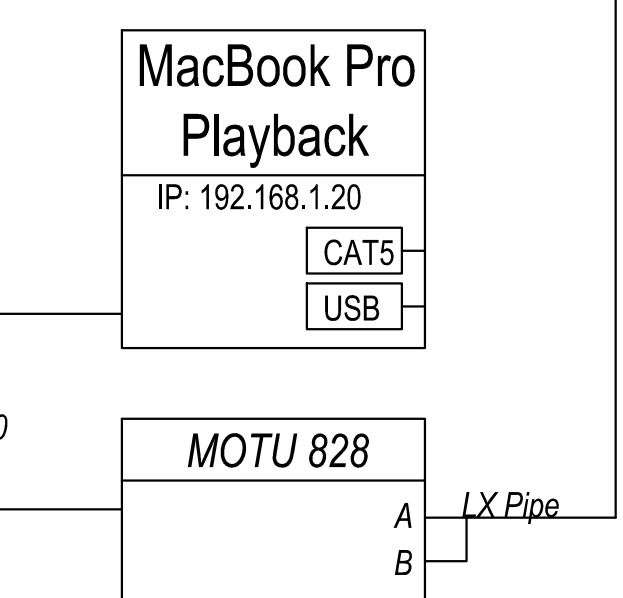
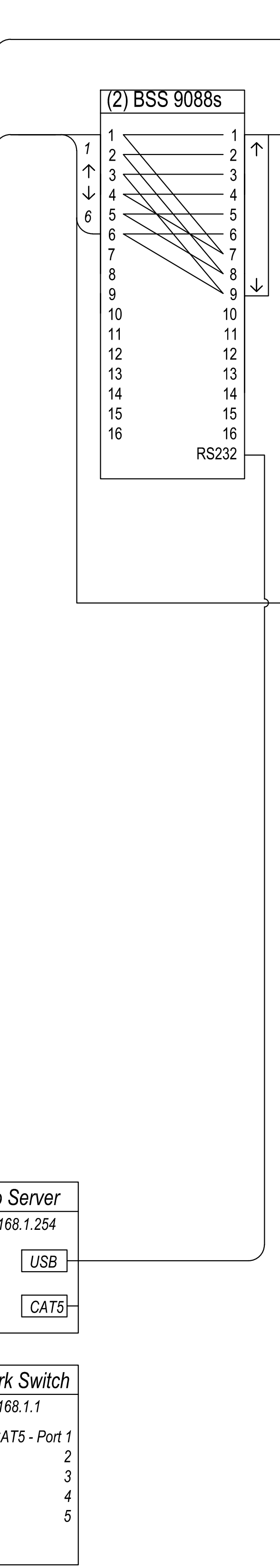


A/D Input		CH	Out		Omni Output
1	1	1	Mix 1	12XTS & 8XTS	1
2	2	2	Mix 2	SB18s	2
3	3	3	Mix 3	JF200 USR GAL	3
4	4	4	Mix 4	JF200 USC GAL	4
5	5	5	Mix 5	JF200 USL GAL	5
6	6	6	Mix 6	JF200 USR FL	6
7	7	7	Mix 7	JF200 USC FL	7
8	8	8	Mix 8	JF200 USL FL	8
9	9	9	Mix 9	SR Sidefill	9
10	10	10	Mix 10	SL Sidefill	10
11	11	11	Mix 11	UB12s	11
12	12	12	Mix 11	UB12s	12
13	13	13	Mix 11	UB12s	13
14	14	14	Mix 11	UB12s	14
15	15	15	Mix 11	UB12s	15
16	16	16	Mix 11	UB12s	16

ADAT Ins	Card Outs
1	49
2	50
3	51
4	52
5	53
6	54
7	55
8	56
9	57
10	58
11	59
12	60
13	61
14	62
15	63
16	64



Dr. Faustus Lights the Lights
SBD

Job # **YSD1** Unit # **0200**

Issue Date: 10/13/11

Drawing Series Number: **000001**

Design Ref. Sheet Number: **000-003:**

Scale: as noted

Drawn by: E. Casanova

Complete File Path: G:\Drive File Path

10/13/11 AS BUILT Initial Layout 8/22/11 Revision Notes: